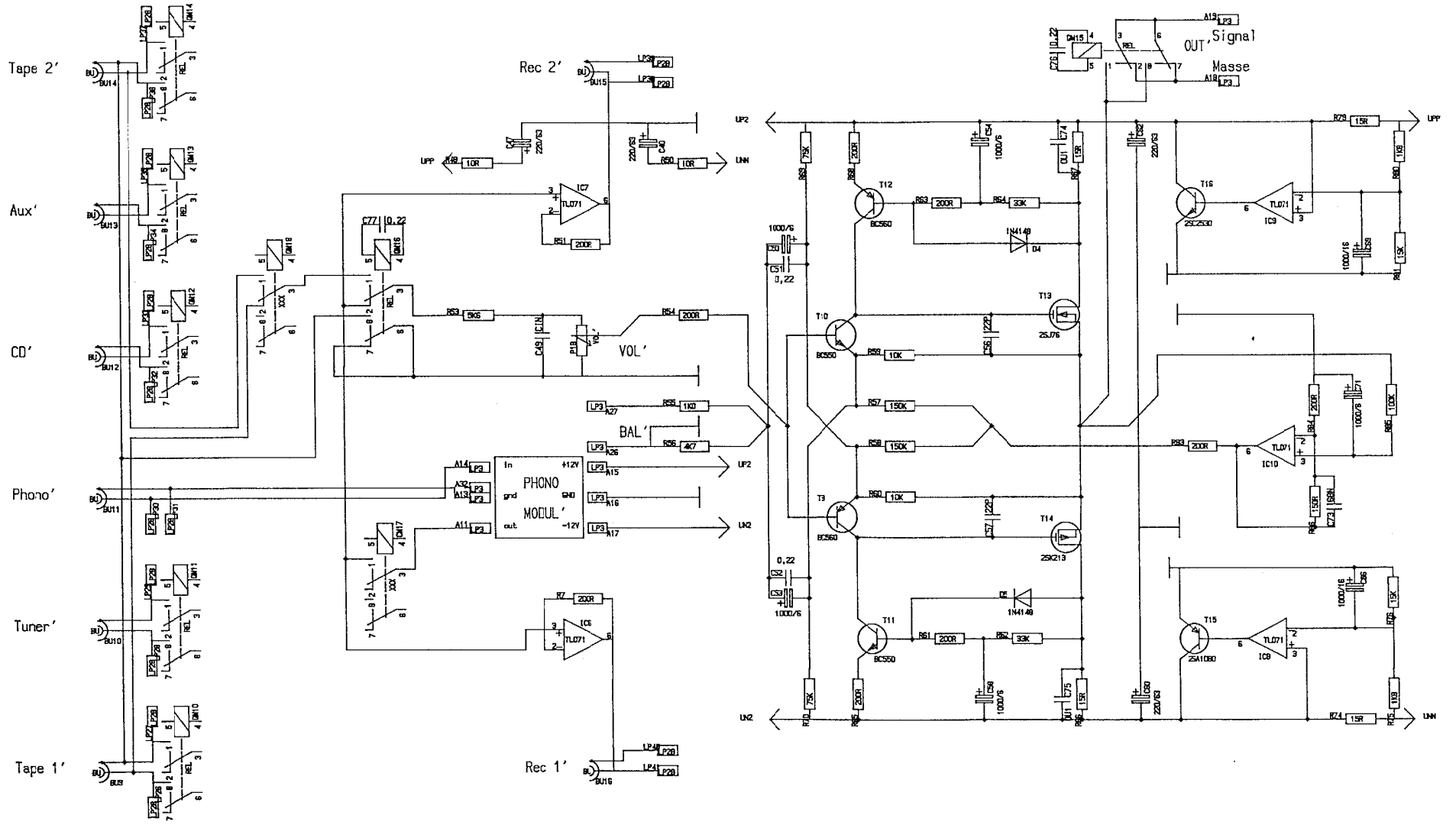


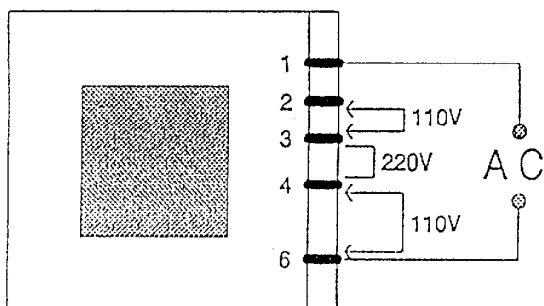
audiolabor

- FLINK VORVERSTÄRKER -



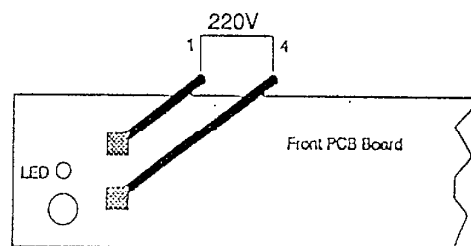
110V ajustment for FLINK preamplifier

remove 220V wire 3+4
solder in two new bridges 2-3 4-6



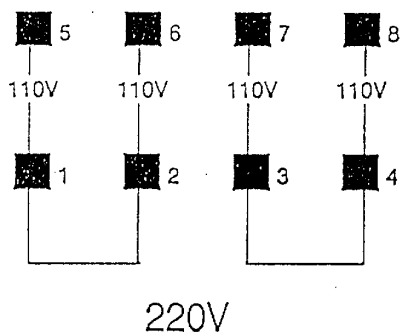
110V ajustment for FLINK poweramp

add transformer wires
3+1 and 2+4



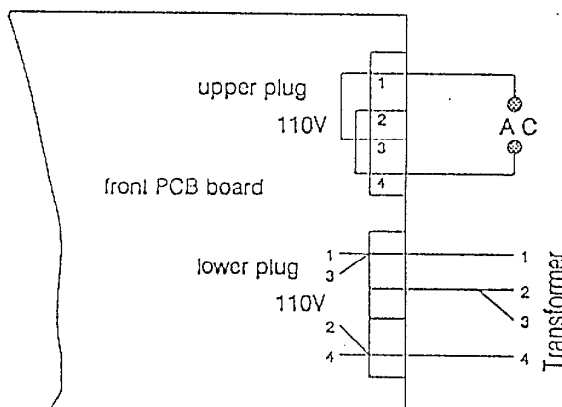
110V ajustment for Brillant preamplifier

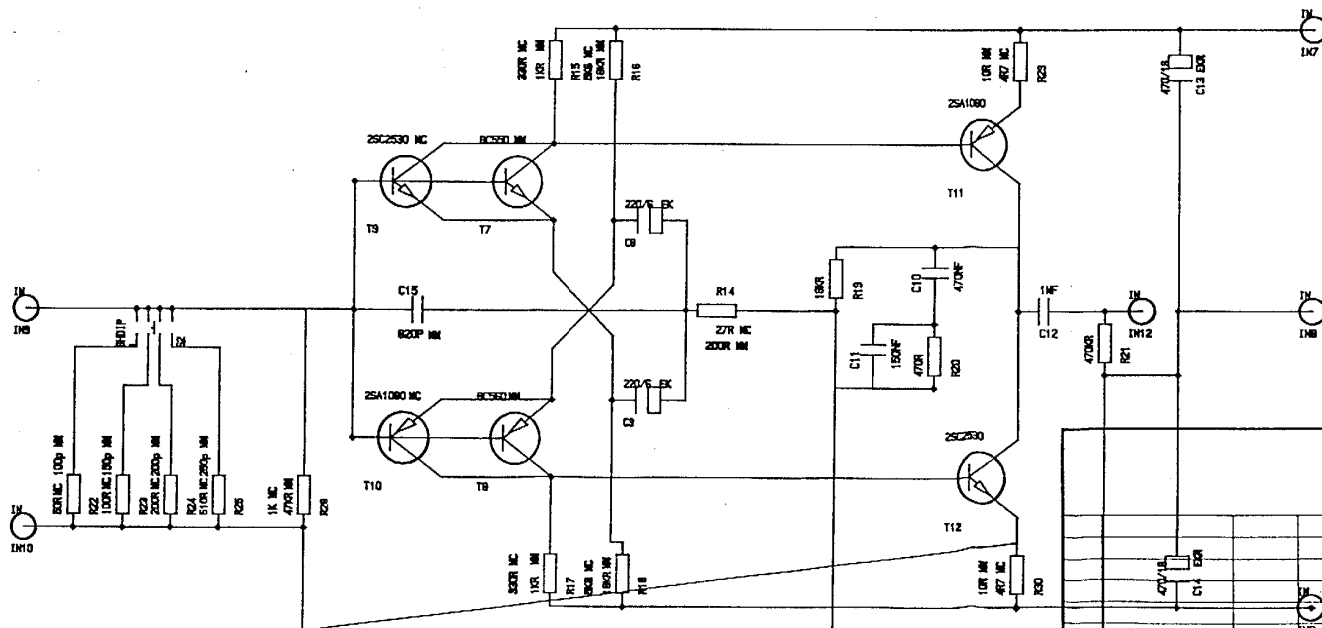
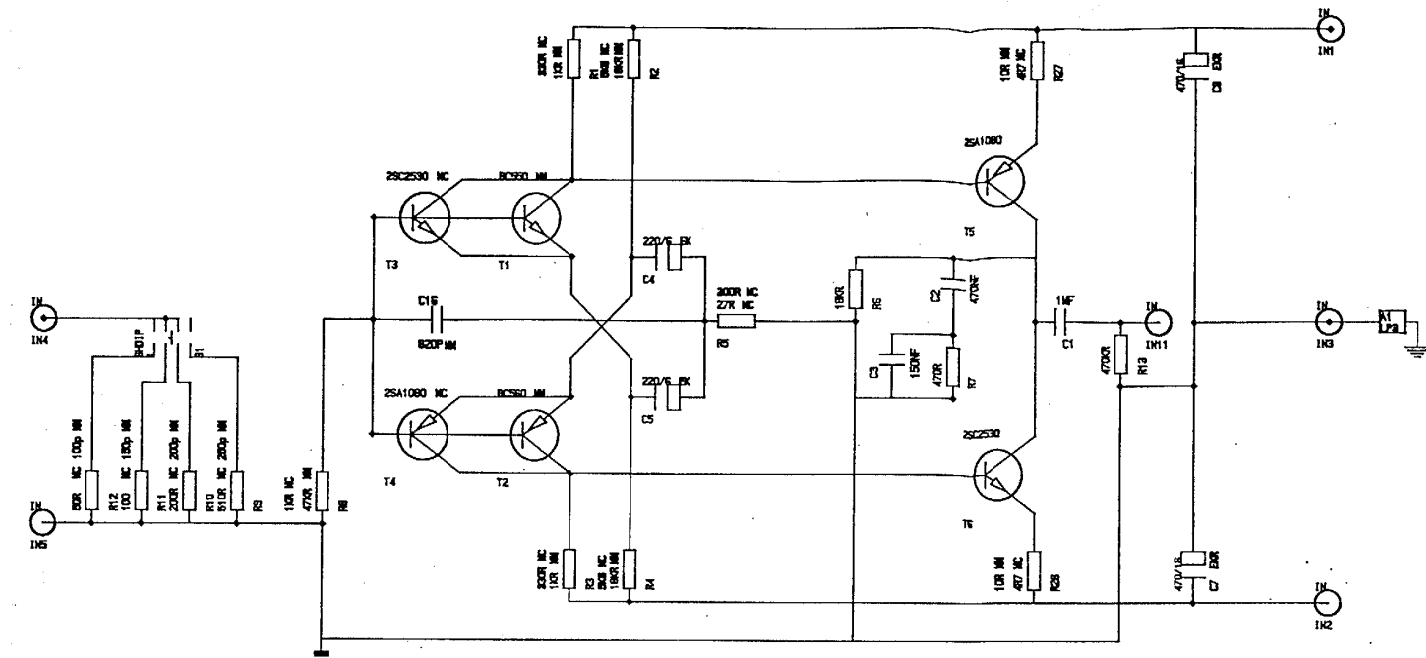
remove 220V wire 1-2-3-4
solder in four new bridges
1+5, 2+6, 3+7, 4+8



110V ajustment for Brillant poweramp

add bridges 1+3 2+4
change Trans. wire 1+3 2+4





Moßstab		Phono-Modul - Flink	
Datum	Name	Schaltplan	
Bearb.	Gepr.		
Norm			
Zust.	Änderung	Datum	Name